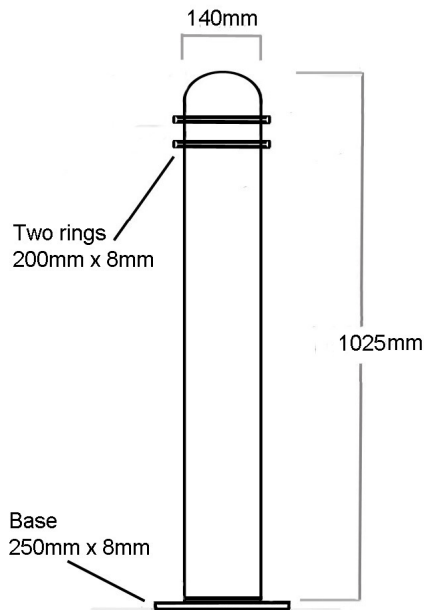


SATURN BOLLARD



Metal Art Limited
Street & Park Furniture



The Saturn Bollard features two rings and a domed head, producing a distinctive and highly visible design that is popular in waterfront areas and around public parks.

Made using galvanized steel pipe with a 5mm wall thickness, the Saturn is a very robust and practical bollard. It is available powder coated to any standard colour. In ground and removable options are available on request. The Saturn can be produced in a range of diameters from 90mm to 170mm.



Saturn Bollard, Wellington Waterfront



Metal Art Ltd

51 Port Road, Seaview
Wellington, New Zealand
Ph +64 4 939-6666
Fax +64 4 939-6696
info@metalart.co.nz
www.metalart.co.nz